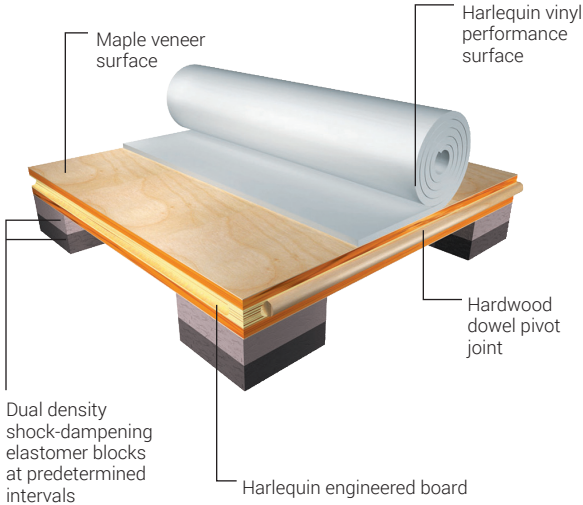
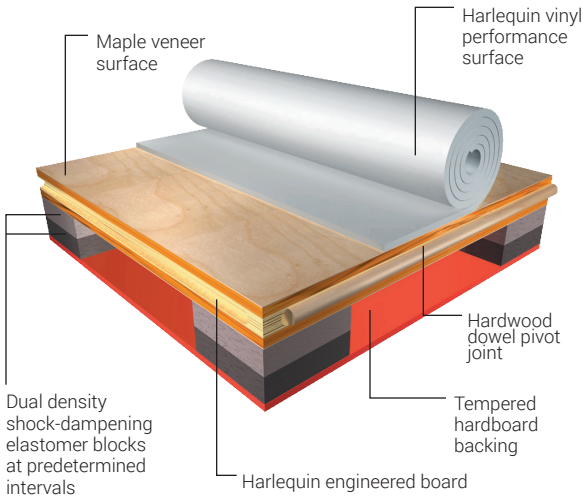




## Liberty Panels



## Liberty Portable (Stage) Panels



**Harlequin Liberty** is a traditional portable sprung floor used by top touring companies around the world. Liberty panels are manufactured from engineered boards with dual density elastomer blocks on the underside to give uniform and consistent shock dampening. The panels are laid in a brickwork fashion onto the subfloor, so that cross-joints do not coincide. They are linked to each other by a hardwood dowel.

**Harlequin Liberty** sprung floor panels are available in both portable (stage) and permanent versions. The portable panels have tempered hardboard attached to the underside for ease of sliding the panels into position, to protect the elastomer blocks and to allow the panels to be loaded more readily onto storage carts.

**Harlequin Liberty** is finished by choosing an appropriate Harlequin vinyl performance floor surface. Solid kerbs and ramps are available for stage use or where the sprung floor does not extend to the walls of the studio.

**Harlequin Liberty** sprung floor panels are quick and easy to install. The panels and accompanying portable Harlequin vinyl floor surface can also be stored in carts, providing an easy and safe way for crews to move them while on tour or around a venue.

### Specification Guide

<b>Permanent or Portable</b>	Both
<b>Finish</b>	Maple Veneer
<b>Full Size Panel</b>	96" x 48"
<b>Half Size Panel</b>	48" x 48"
<b>Weight (Full Size)</b>	83 lbs 93 lbs (Portable)
<b>Thickness</b>	1 1/2" 1 5/8" (Portable)
<b>Testing Standards</b>	DIN 18032-2
<b>Average Shock Absorption (Min. 53%)</b>	67%
<b>Vertical Deformation (Min. 2.3mm)</b>	4.1mm
<b>Area Deflection (Max 15%)</b>	12.8%
<b>Rolling Load (Min. 1500N)</b>	>1500 N

### Harlequin Sprung Floor Application Guide

Along with Harlequin Liberty, we offer additional sprung flooring options, which are listed below along with the recommended surface. These recommendations are based on experience and customer preference only. Please contact a Flooring Specialist to determine which option best suits your requirements.

✓ = We recommend.

	Allegro	Cascade	Fiesta	FreeStyle	Hardwood	Hi-Shine	Marine	Reversible	Reversible Pro	Standfast	Studio	Studio B
<b>Activity</b>		✓	✓	✓	✓		✓			✓	✓	✓
<b>AeroDeck</b>		✓	✓	✓		✓	✓	✓	✓	✓	✓	✓
<b>Liberty</b>		✓	✓	✓		✓	✓	✓	✓	✓	✓	✓
<b>Liberty (portable)</b>		✓		✓		✓		✓	✓		✓	✓
<b>Liberty LatchLoc</b>		✓		✓		✓		✓	✓	✓	✓	✓
<b>WoodSpring</b>		✓	✓	✓	✓		✓			✓	✓	✓

## American Harlequin Corporation

1531 Glen Avenue  
Moorestown, NJ 08057

(800) 642 6440  
contact@harlequinfloors.com  
harlequinfloors.com

PHILADELPHIA  
FORT WORTH  
LOS ANGELES  
LAS VEGAS  
LONDON  
PARIS  
BERLIN  
LUXEMBOURG  
MADRID  
SYDNEY  
HONG KONG  
TOKYO

The Company reserves the right to make any variation in design or construction of the material described.  
© Harlequin Floors 08/2018.

**CALL 800-642-6440 or VISIT [www.harlequinfloors.com](http://www.harlequinfloors.com)**

For samples or information on Harlequin Floors complete range of vinyl and sprung floors.